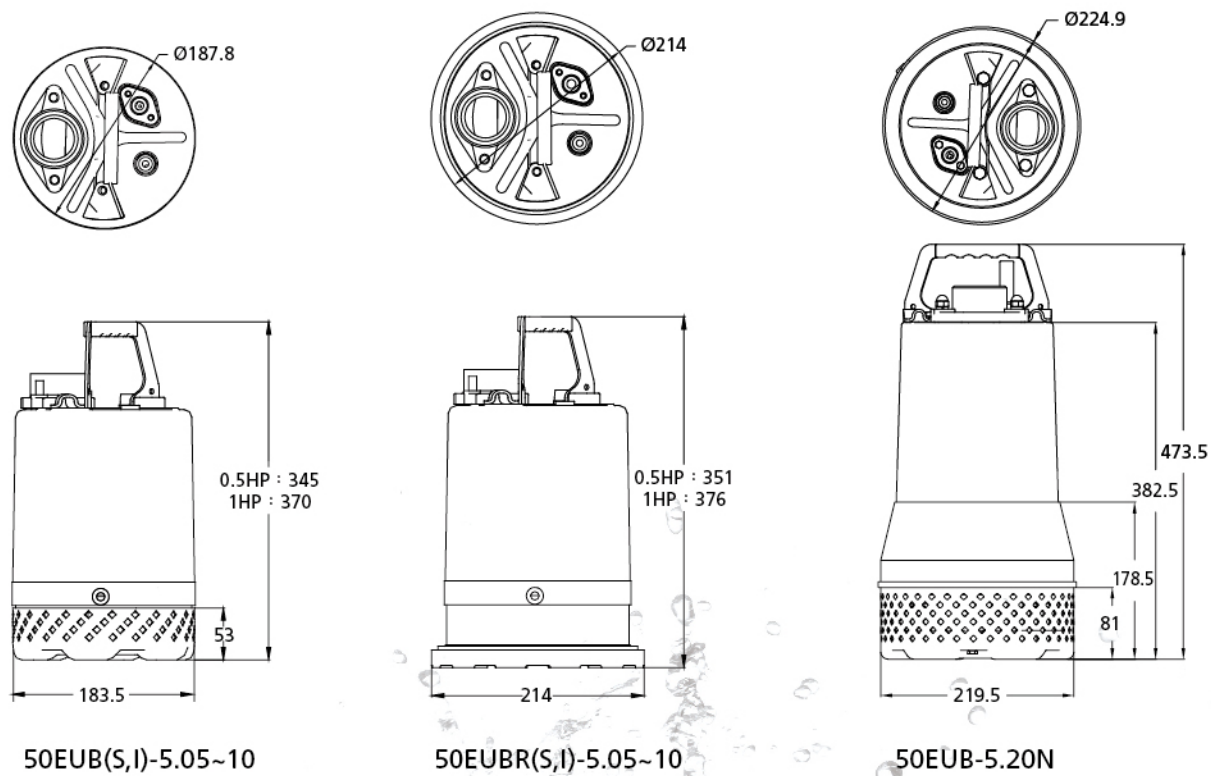




### EUB(S,I)/EUBR(S,I) Series Dimensions



Unit: mm



Official agent Benelux

**EVAK PUMP TECHNOLOGY CORP.**

No. 551, Zhongshan Rd., Qingshui Dist., Taichung City 436, Taiwan.  
 TEL: +886-426-233556 Fax: +886-426-235559

Vol 2/EUBR-14011



**EUB/EUBS/EUBI/EUBR/EUBRS/EUBRI**  
**SERIES 50HZ**  
 Submersible Dewatering Pump



[www.evak-pumps.com](http://www.evak-pumps.com)



# EUB/EUBS/EUBI/EUBR/EUBRS/EUBRI SERIES 50HZ

Submersible Dewatering Pump

## Feature

- / High resistance to abrasive liquids
- / Double mechanical seal in Si. Ca
- / Vortex impeller made of resin
- / KLIXON thermal overload protection is available upon request
- / Compact design & Lightweight
- / Shaft in Stainless steel AISI 410

## Application

- / Site drainage, mining, tunneling, public works, floods
- / Cement industry, river intake, civil engineering projects
- / Basement, parking lots, removing residue water (EUBR/EUBRS/EUBRI)
- / Version "S" in AISI 304 and "I" in AISI 316 are suitable for chemical liquids in drainage and general pumping applications

## Specifications

Liquid Temperature		0~40°C (32~104°F)
Submersible depth		10M
<b>Motor Part</b>	Frequency	50Hz
	Pole	2 Pole
	Type	Dry Type
	Insulation	Class B
	Protection	IP 68
<b>Pump Part</b>	Protector	Auto-cut
	Bearing	Ball Type
	Mechanical seal	Dual. Mechanical Seal
	Impeller	Semi-Open



EUBS(I)/EUBRS(I) Impeller



EUB/EUBR Impeller

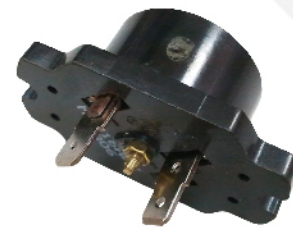


Steel coated with thermoplastic polyester elastomer

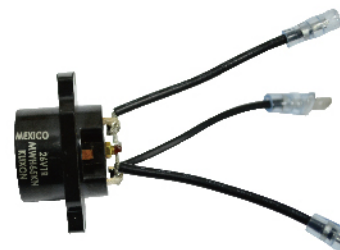
# KLIXON®



1PH Protector (Thermal)



1PH Protector (optional) (overheat & overload)



3PH Protector (overheat, overload, phase failure)

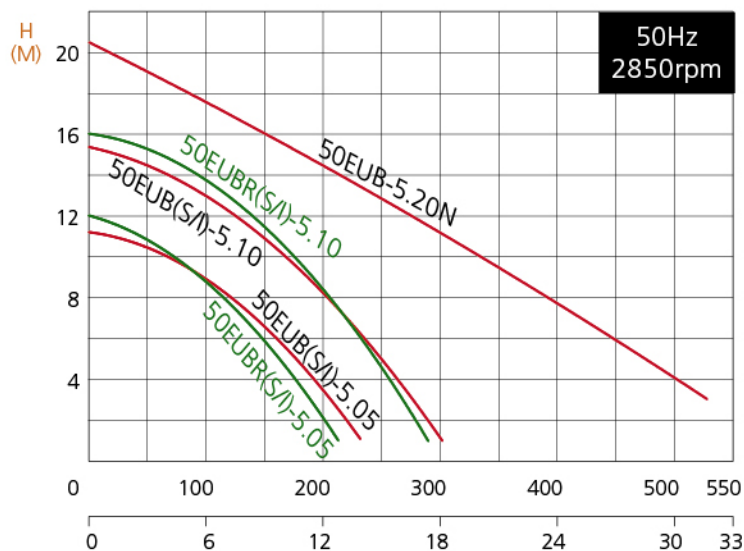
KLIXON protector provides protection against overheating from all running and stalled rotor conditions including:

- Plugging duty
- Stalling or failure to start
- Heavy overloads
- High ambient
- Ventilation failures

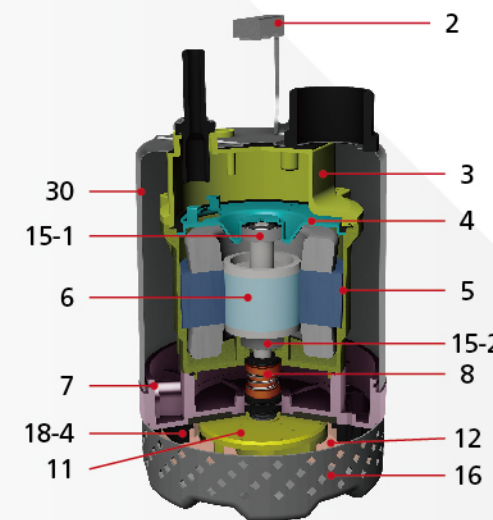
Q(L/M)

Q(M³/H)

## Performance Curve

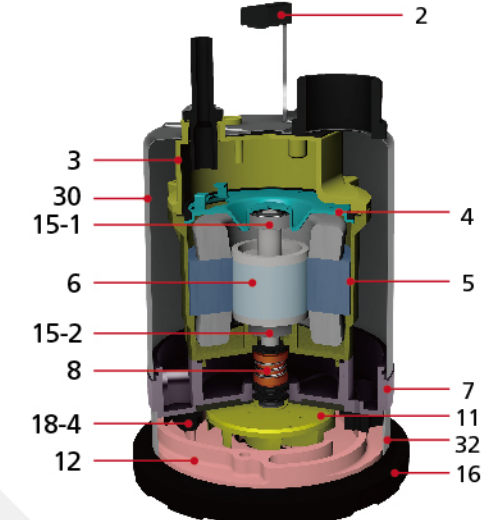


## Parts and Material List



50EUB(S,I)-5.05~10

No	Part	Material		
		EUB	EUBS	EUBI
2	Handle	Steel	SUS 304	SUS 316
3	Motor Cover	ADC 12	SUS 304	SUS 316
4	Bracket	Steel	FC 20	FC 20
5	Motor Housing + Stator	ADC12/Steel	SUS 304	SUS 316
6	Shaft with Rotor	SUS 410	SUS 304	SUS 316
7	Oil Chamber	ADC 12	SUS 304	SUS 316
8	Mech. Seal	CA/CE+SIC/SIC	CA/CE+SIC/SIC	CA/CE+SIC/SIC
11	Impeller	Hytrel	SUS 304	SUS 316
12	Pump Casing	FC 20	SUS 304	SUS 316
15-1	Upper Bearing	NTN		
15-2	Lower Bearing	NTN		
16	Strainer	SUS 304	SUS 304	SUS 316
18-4	Volute Liner	NBR	NBR	EPDM
30	Pump Housing	SUS 304	SUS 304	SUS 316



50EUBR(S,I)-5.05~10

No	Part	Material		
		EUBR	EUBRS	EUBRI
2	Handle	Steel	SUS 304	SUS 316
3	Motor Cover	ADC 12	SUS 304	SUS 316
4	Bracket	Steel	FC 20	FC 20
5	Motor Housing + Stator	ADC12/Steel	SUS 304	SUS 316
6	Shaft with Rotor	SUS 410	SUS 304	SUS 316
7	Oil Chamber	ADC 12	SUS 304	SUS 316
8	Mech. Seal	CA/CE+SIC/SIC	CA/CE+SIC/SIC	CA/CE+SIC/SIC
11	Impeller	Hytrel	SUS 304	SUS 316
12	Pump Casing	FC 20	SUS 304	SUS 316
15-1	Upper Bearing	NTN		
15-2	Lower Bearing	NTN		
16	Strainer	NBR	NBR	EPDM
18-4	Volute Liner	NBR	NBR	EPDM
30	Pump Housing	SUS 304	SUS 304	SUS 316
32	Pump Casing Ring	SUS 304	SUS 304	SUS 316

## Data Chart

Type	Output		Discharge	F.L.A.		Rated		Maximum		Cable	Free Passage	Weight
	HP	KW		1ø 230V	3ø 400V	Head m	Cap. LPM	Head m	Cap. LPM			
50EUB(S/I)-5.05	0.5	0.37	2"	3	0.9	8	122	11.4	232	10	6	12
50EUBR(S/I)-5.05	0.5	0.37	2"	3	0.9	8	115	12	213	10	2	11
50EUB(S/I)-5.10	1	0.75	2"	5	1.9	10	168	15.2	302	10	6	15
50EUBR(S/I)-5.10	1	0.75	2"	5	1.9	10	176	16	290	10	2	14
50EUB-5.20N	2	1.5	2"	12	3.5	11	305	20.6	528	10	6	24

» Black float or KEY type float switch is optional for EUB/EUBS/EUBI pumps only.